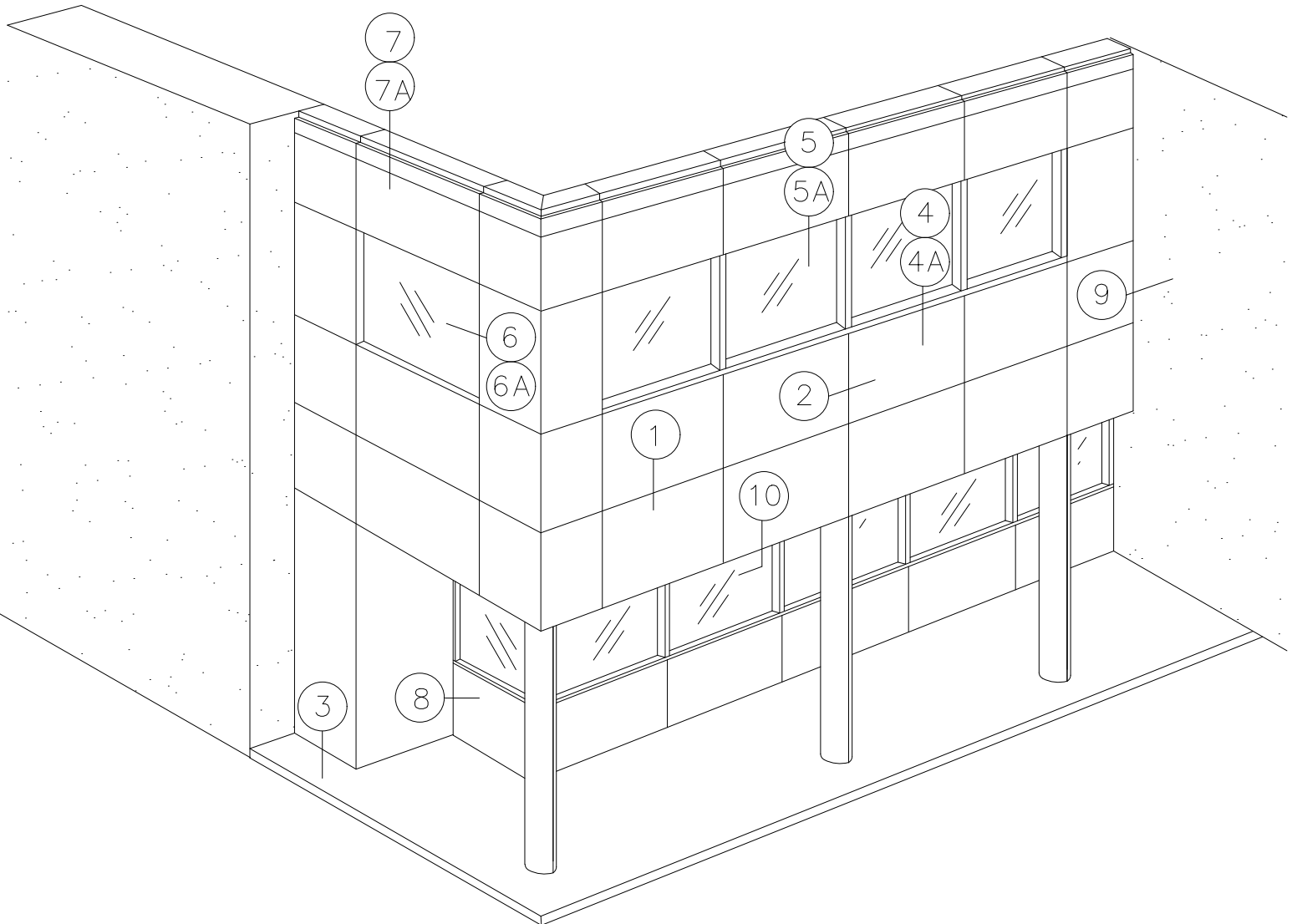




CYNERGY SYSTEMS, INC.

1851 Chespark Dr.
Gastonia, NC 28052
704.864.2999 (ph)
704.867.2009 (fax)

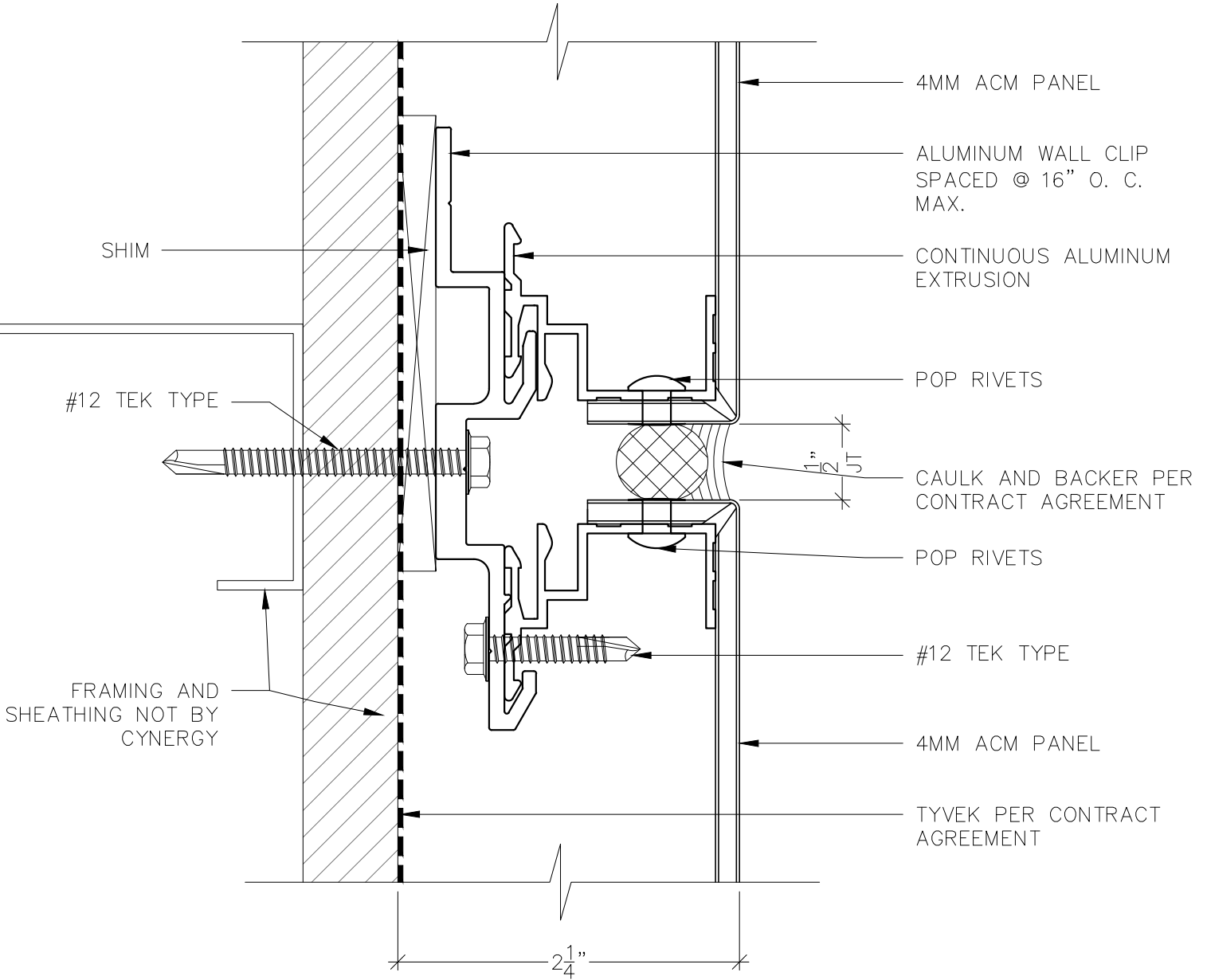


ISOMETRIC VIEW
WET JOINT SYSTEM DETAILS



CYNERGY SYSTEMS, INC.

1851 Chespark Dr.
Gastonia, NC 28052
704.864.2999 (ph)
704.867.2009 (fax)

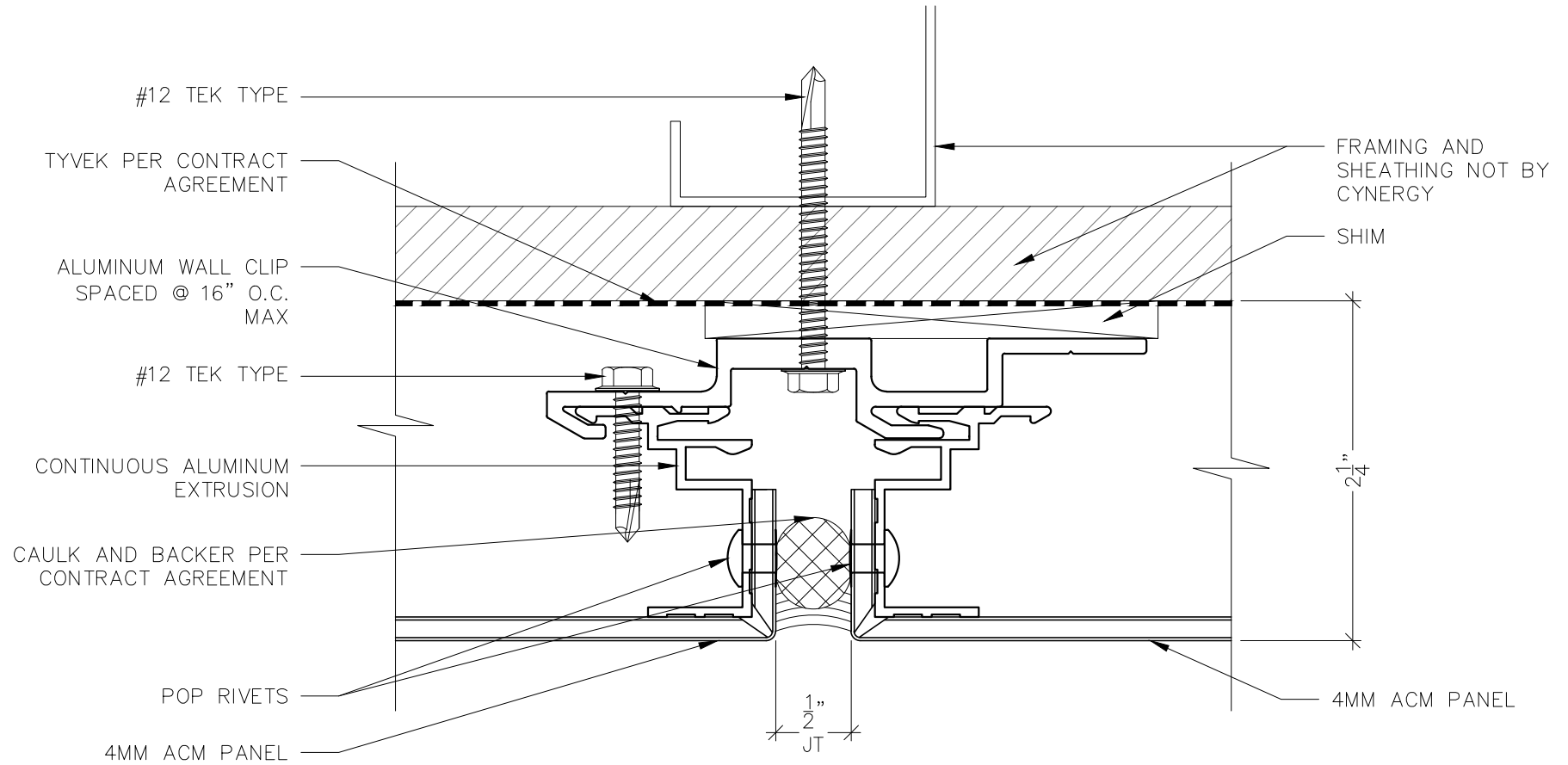


1 HORIZONTAL JOINT DETAIL
SCALE: FULL

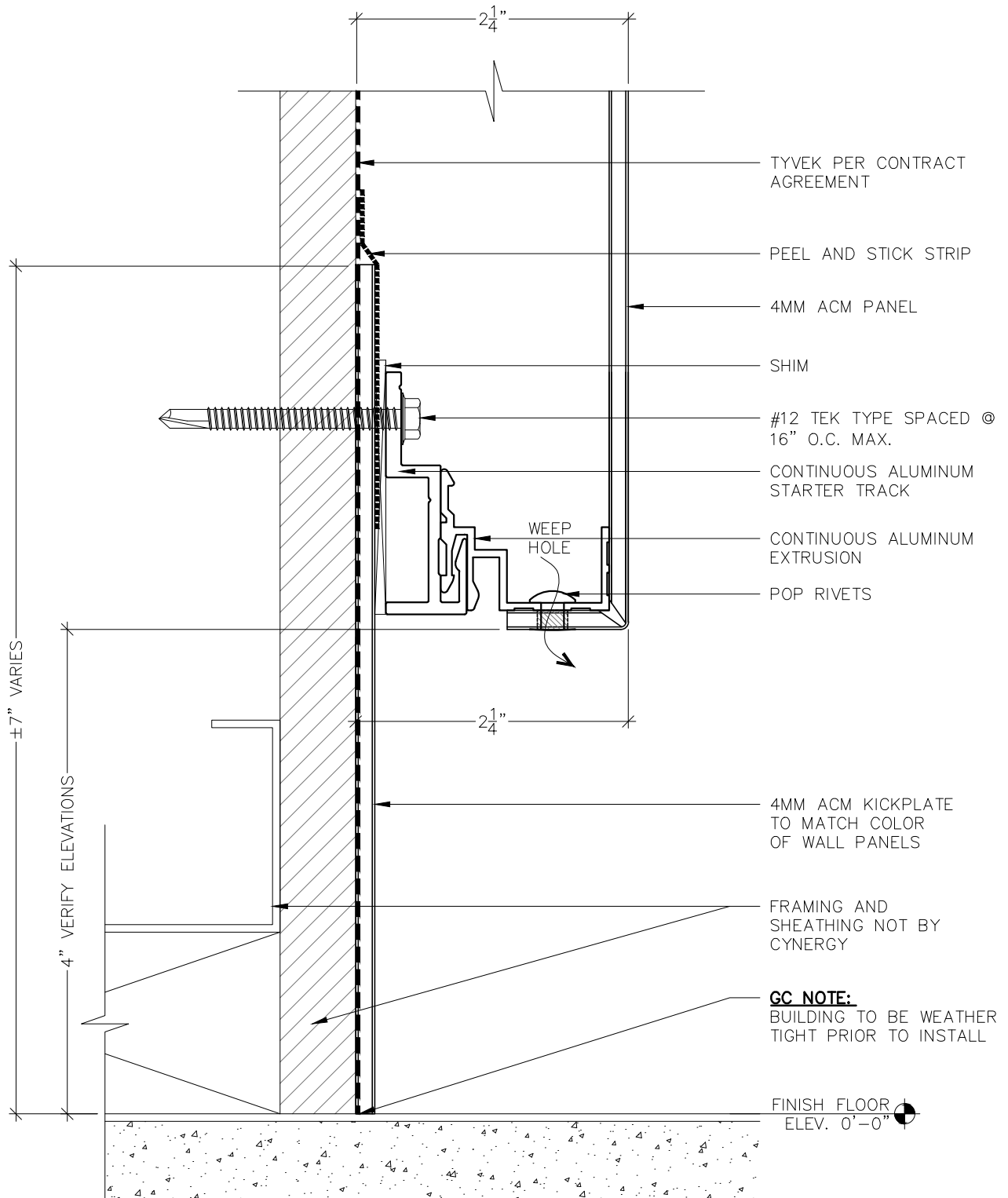


CYNERGY SYSTEMS, INC.

1851 Chespark Dr.
Gastonia, NC 28052
704.864.2999 (ph)
704.867.2009 (fax)



2 VERTICAL JOINT DETAIL
SCALE: FULL

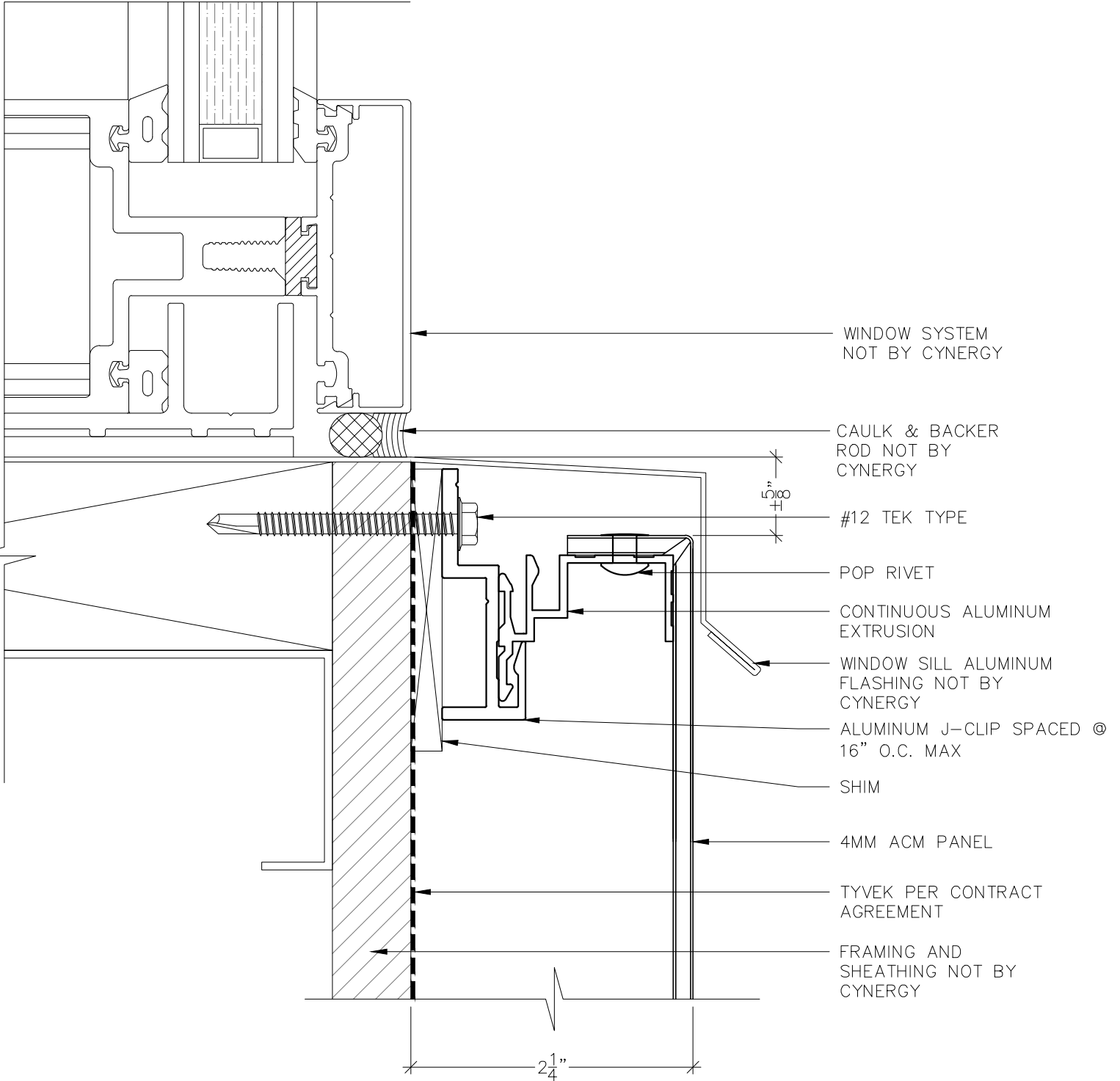


3 BASE DETAIL
 SCALE: FULL



CYNERGY SYSTEMS, INC.

1851 Chespark Dr.
Gastonia, NC 28052
704.864.2999 (ph)
704.867.2009 (fax)

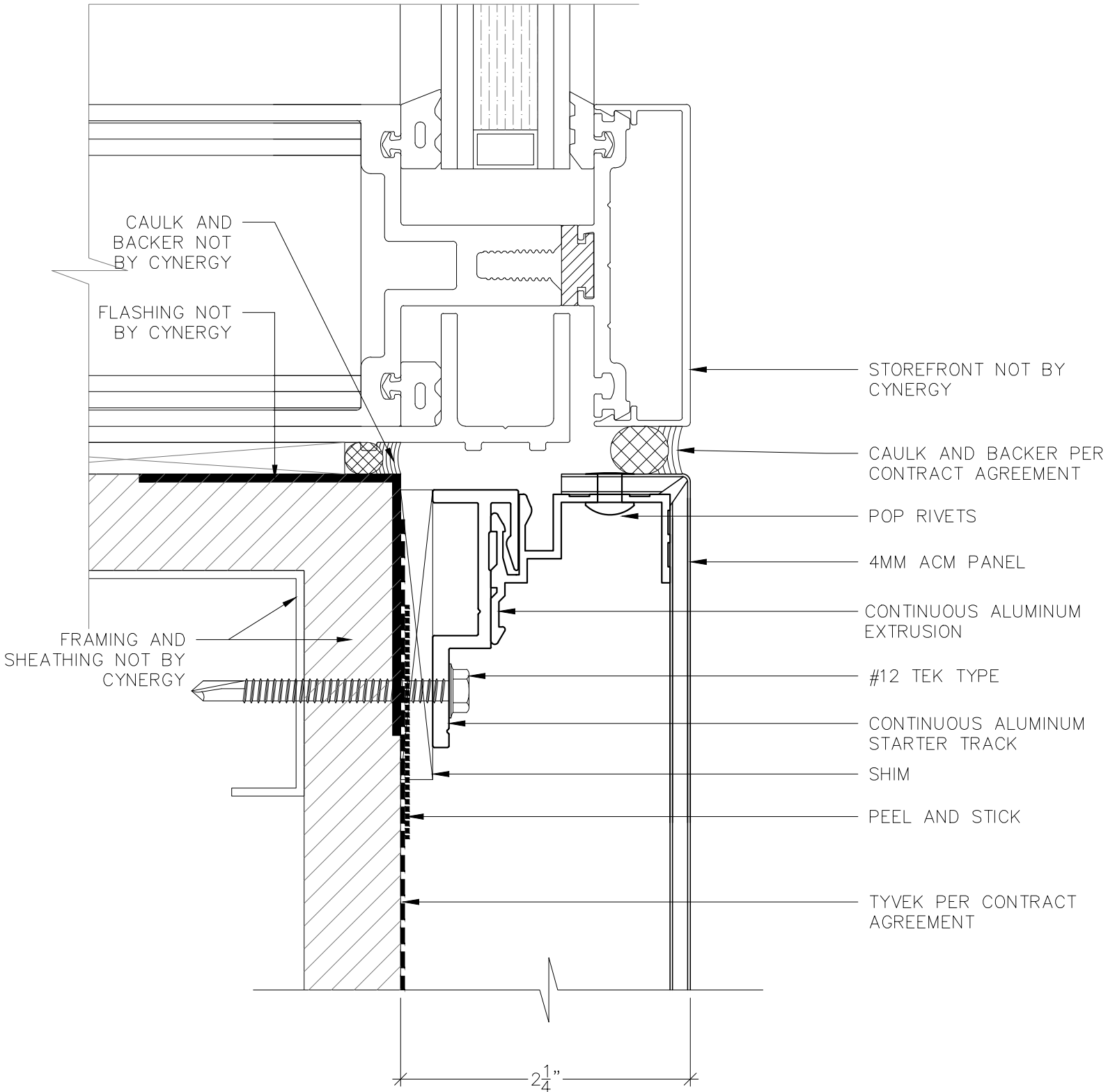


4 SILL DETAIL
SCALE: FULL



CYNERGY SYSTEMS, INC.

1851 Chespark Dr.
Gastonia, NC 28052
704.864.2999 (ph)
704.867.2009 (fax)

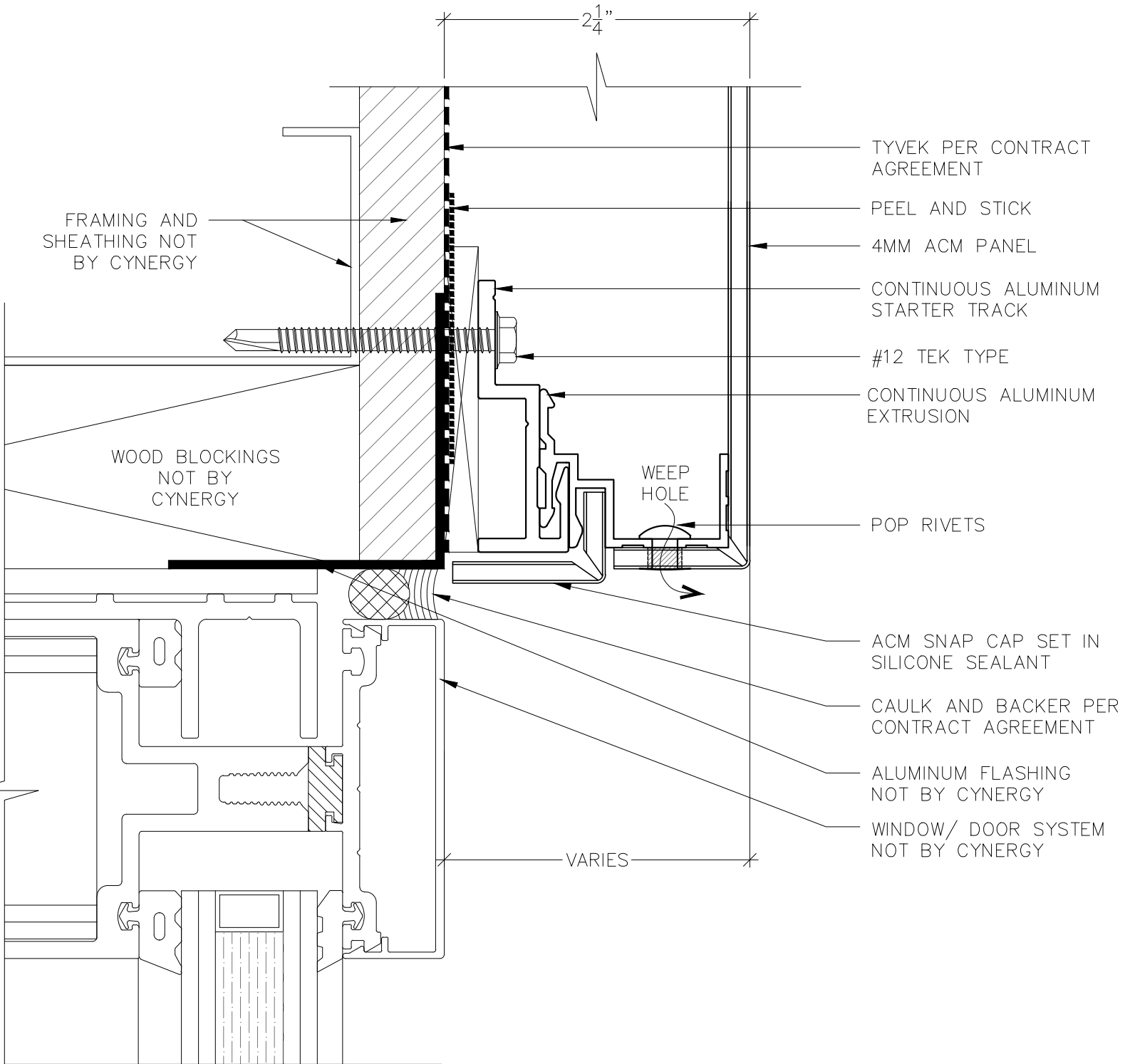


4A SILL DETAIL
SCALE: FULL



CYNERGY SYSTEMS, INC.

1851 Chespark Dr.
Gastonia, NC 28052
704.864.2999 (ph)
704.867.2009 (fax)

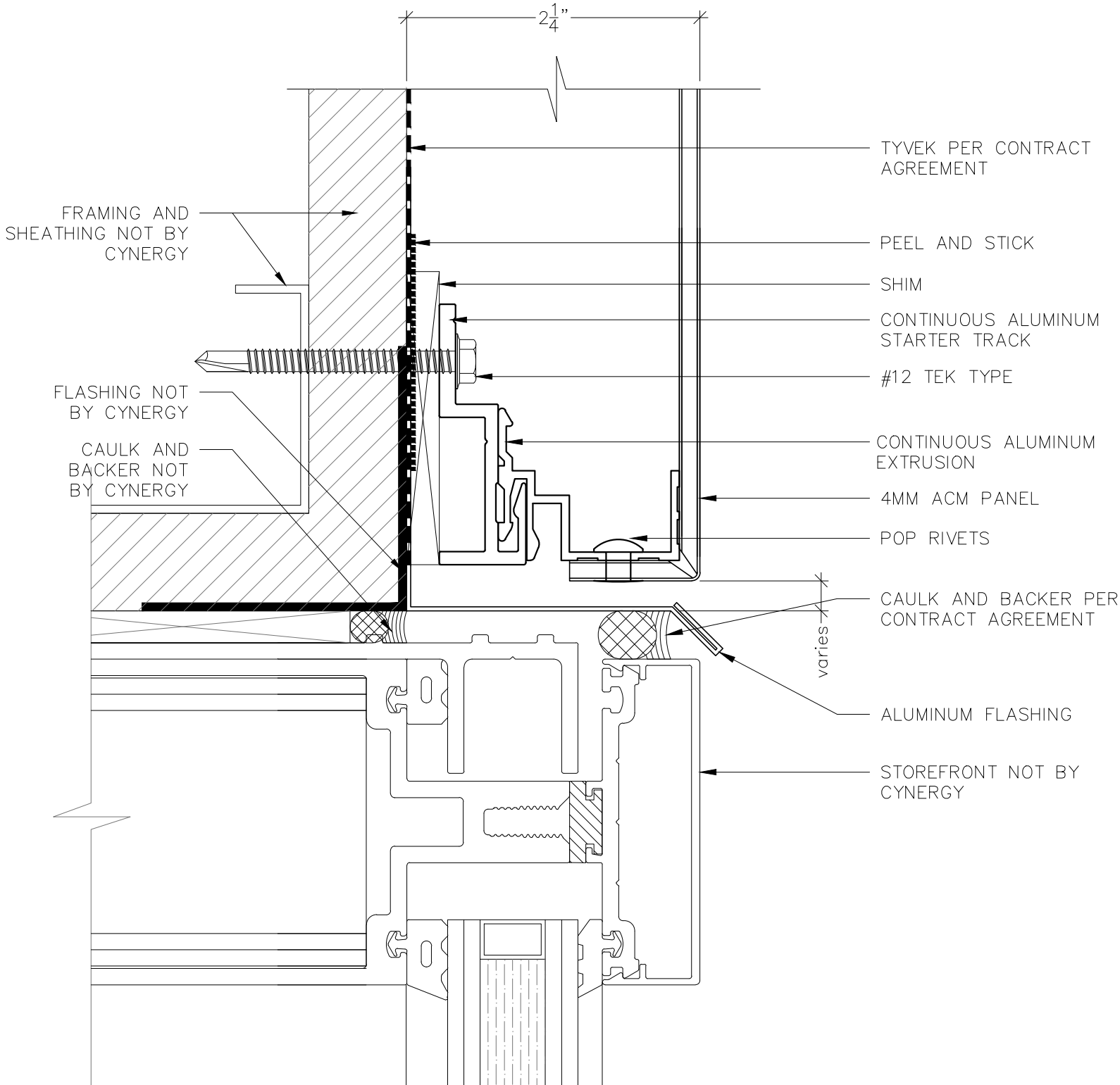


5 HEAD DETAIL
SCALE: FULL



CYNERGY SYSTEMS, INC.

1851 Chespark Dr.
 Gastonia, NC 28052
 704.864.2999 (ph)
 704.867.2009 (fax)

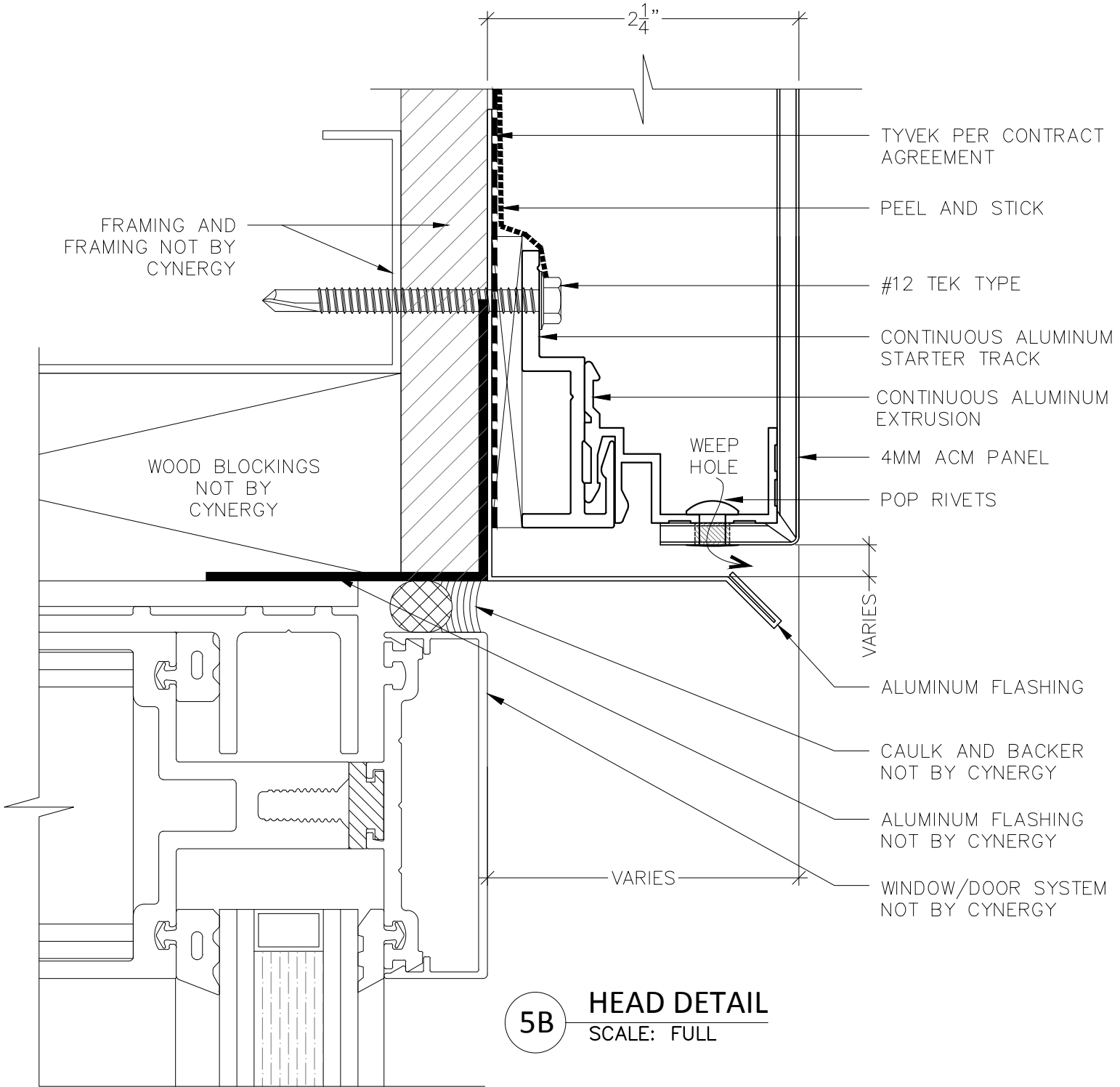


5A HEAD DETAIL
 SCALE: FULL



CYNERGY SYSTEMS, INC.

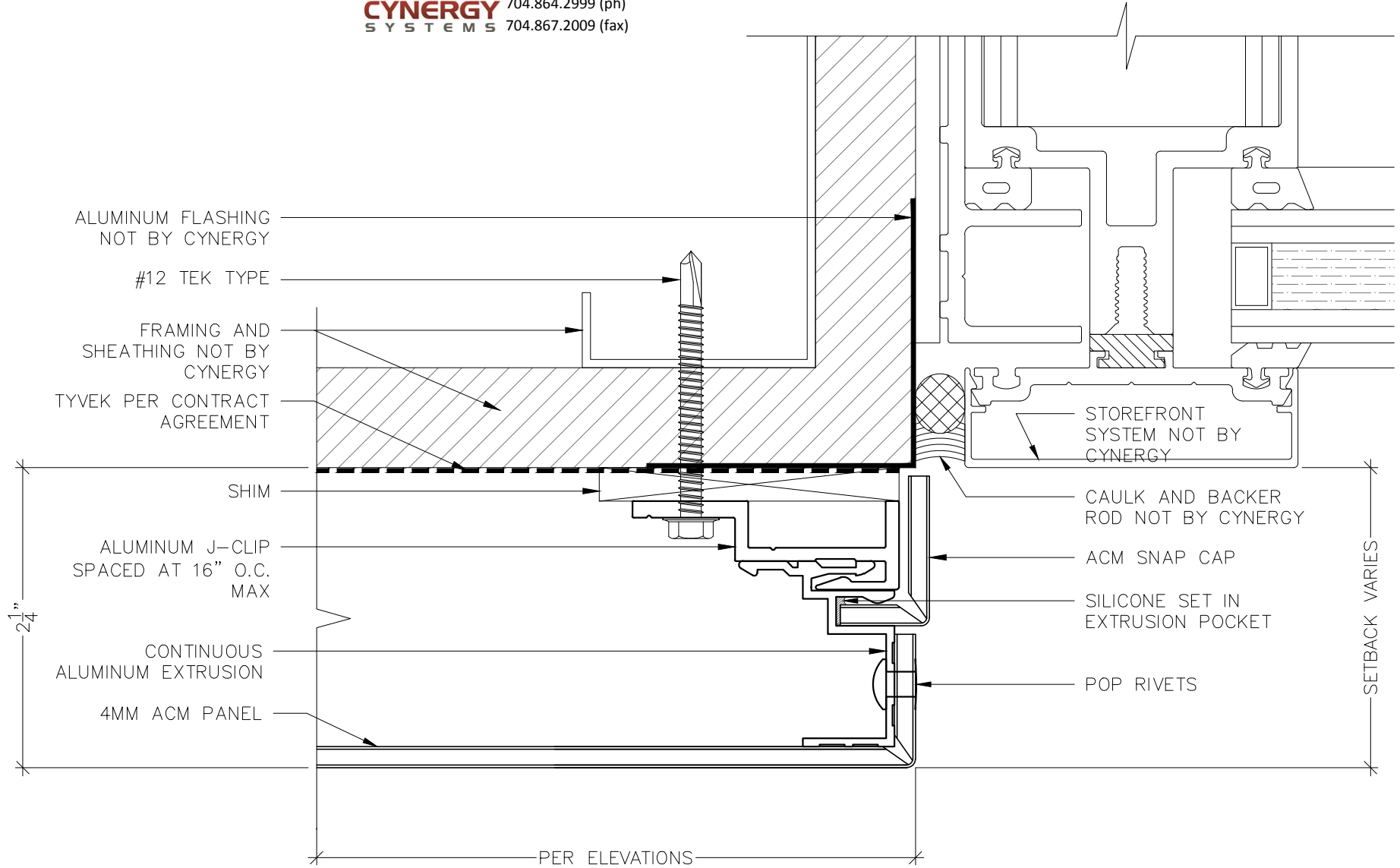
1851 Chespark Dr.
Gastonia, NC 28052
704.864.2999 (ph)
704.867.2009 (fax)





CYNERGY SYSTEMS, INC.

1851 Chespark Dr.
Gastonia, NC 28052
704.864.2999 (ph)
704.867.2009 (fax)

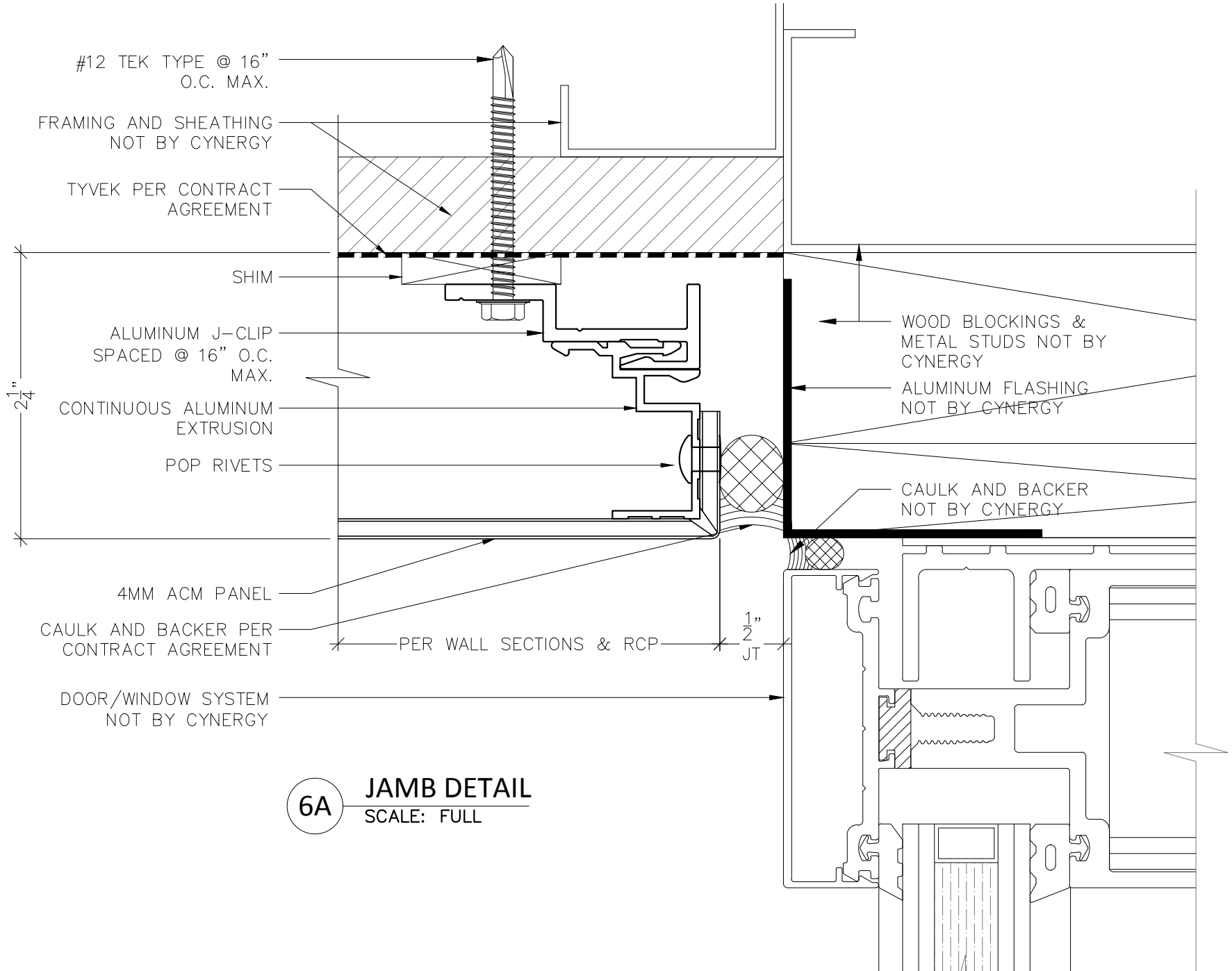


6 JAMB DETAIL
SCALE: FULL

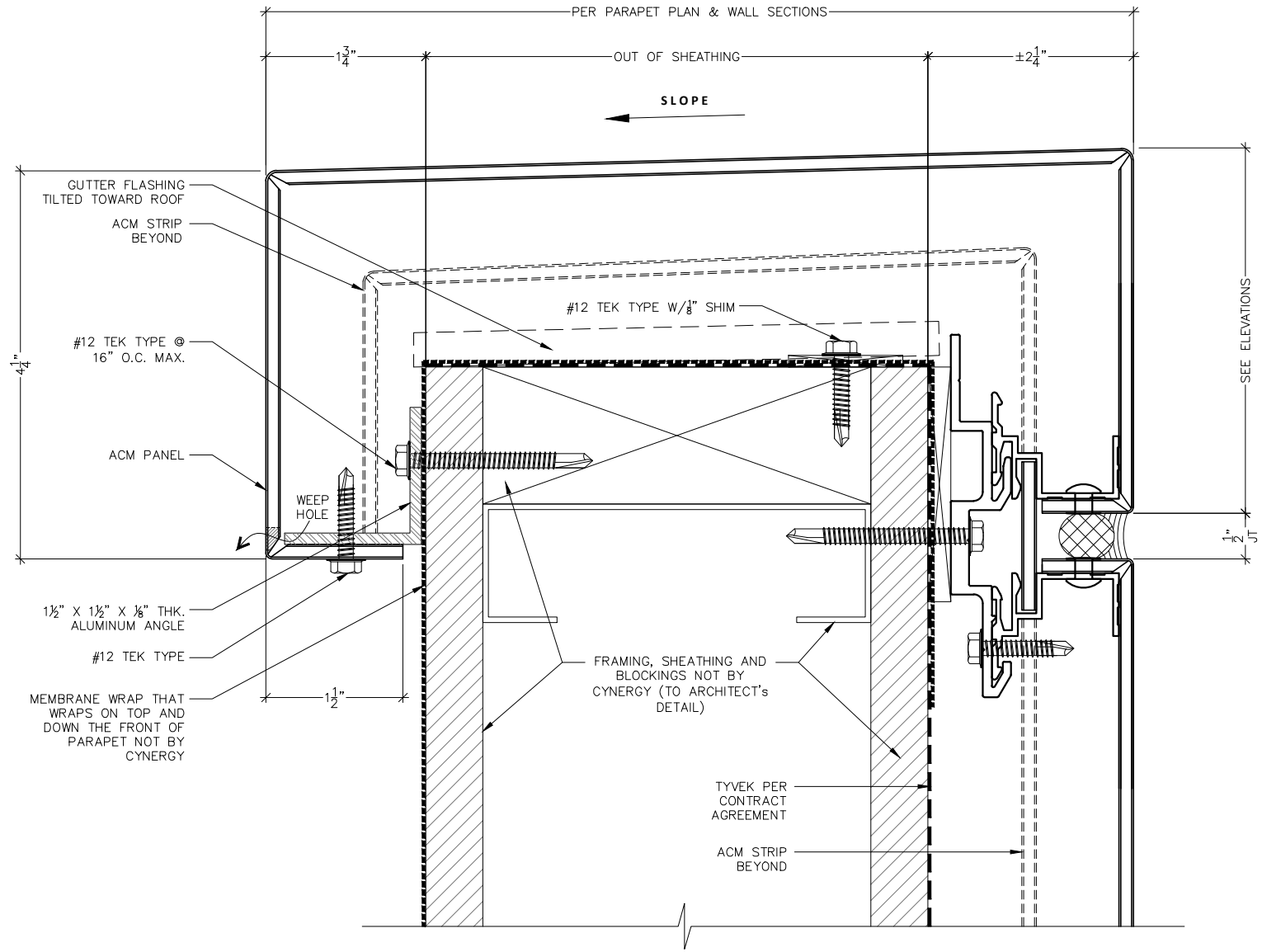


CYNERGY SYSTEMS, INC.

1851 Chespark Dr.
Gastonia, NC 28052
704.864.2999 (ph)
704.867.2009 (fax)



6A JAMB DETAIL
SCALE: FULL

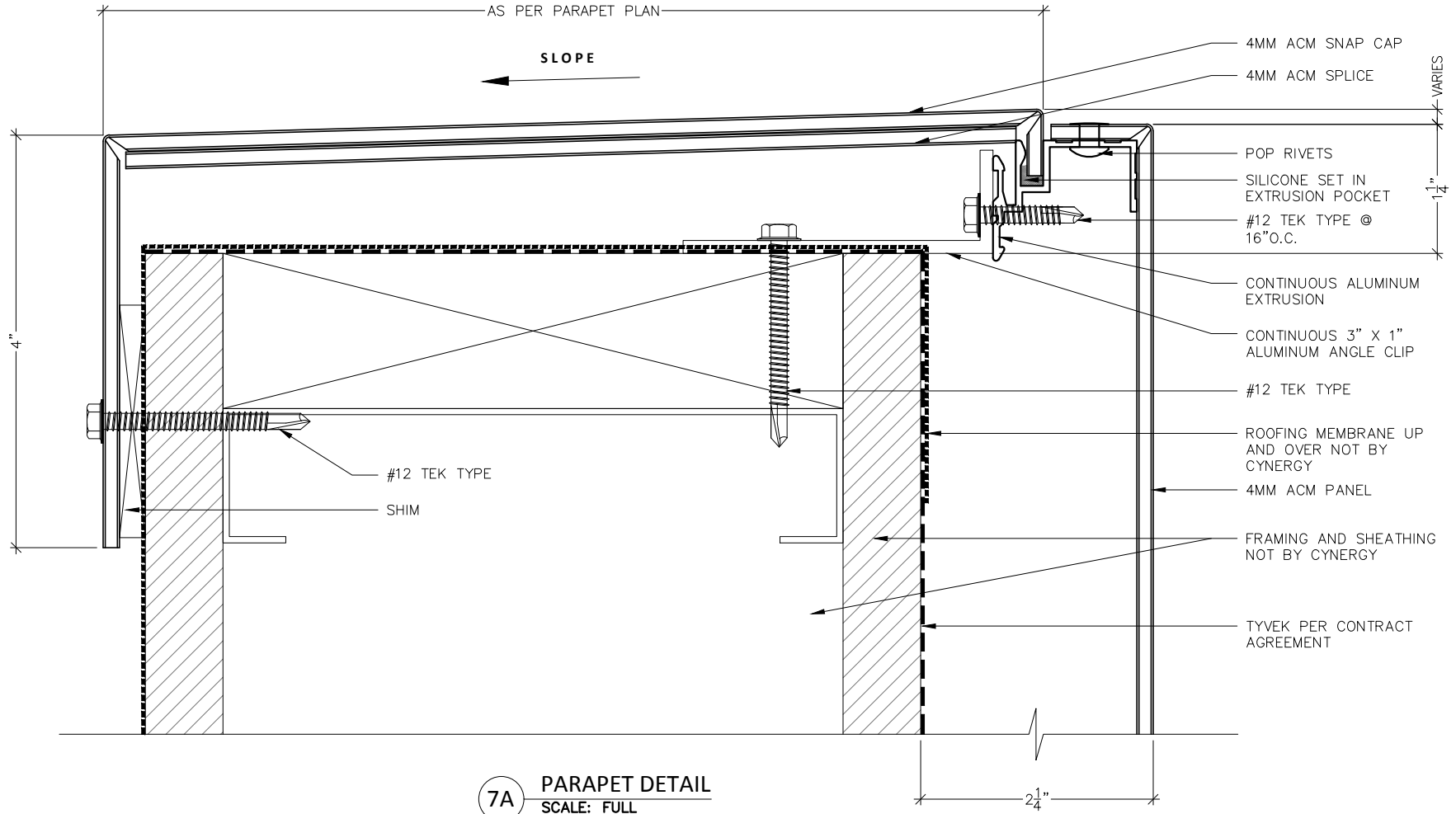


7 **PARAPET DETAIL**
 SCALE: FULL



CYNERGY SYSTEMS, INC.

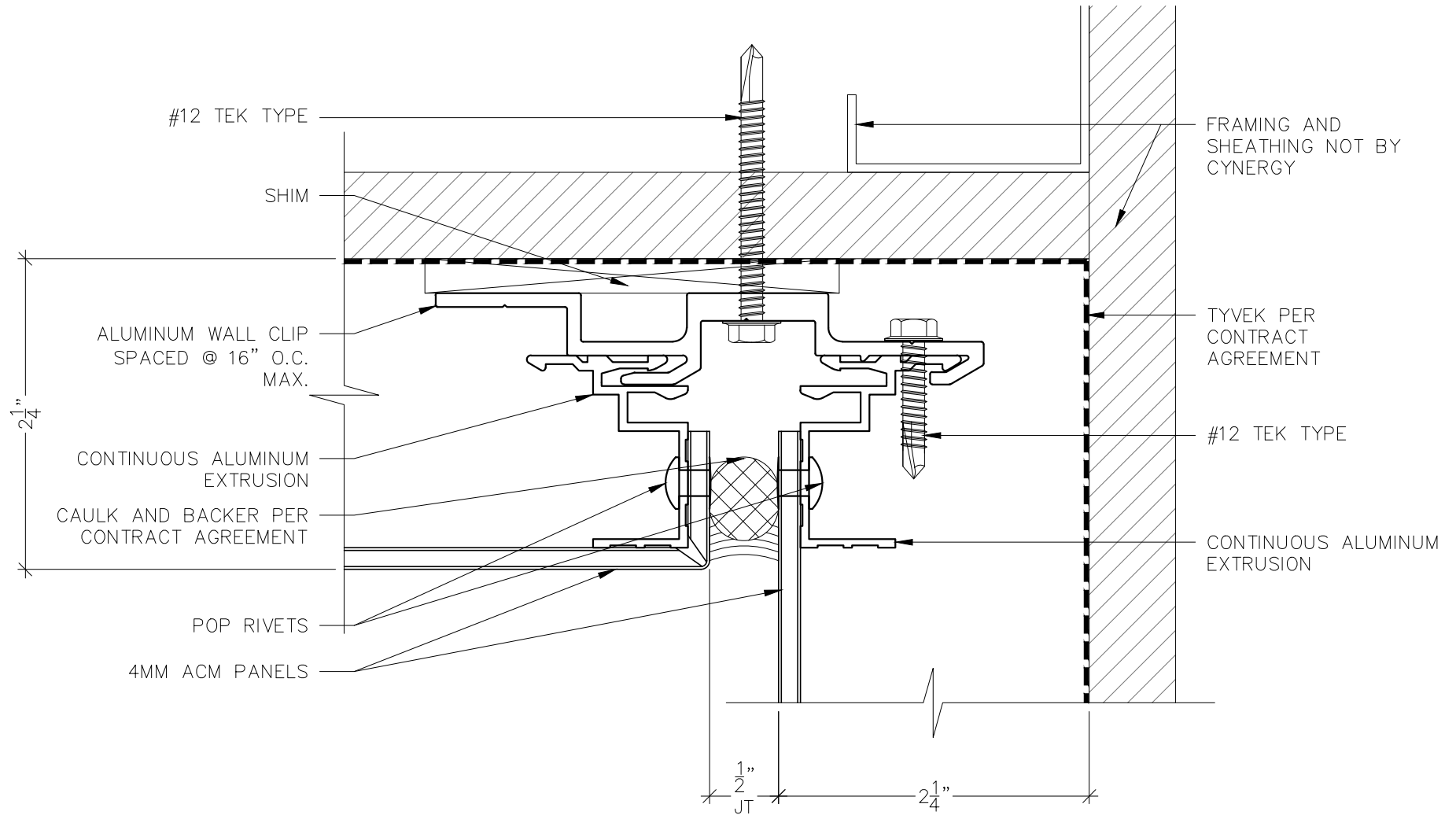
1851 Chespark Dr.
Gastonia, NC 28052
704.864.2999 (ph)
704.867.2009 (fax)





CYNERGY SYSTEMS, INC.

1851 Chespark Dr.
Gastonia, NC 28052
704.864.2999 (ph)
704.867.2009 (fax)

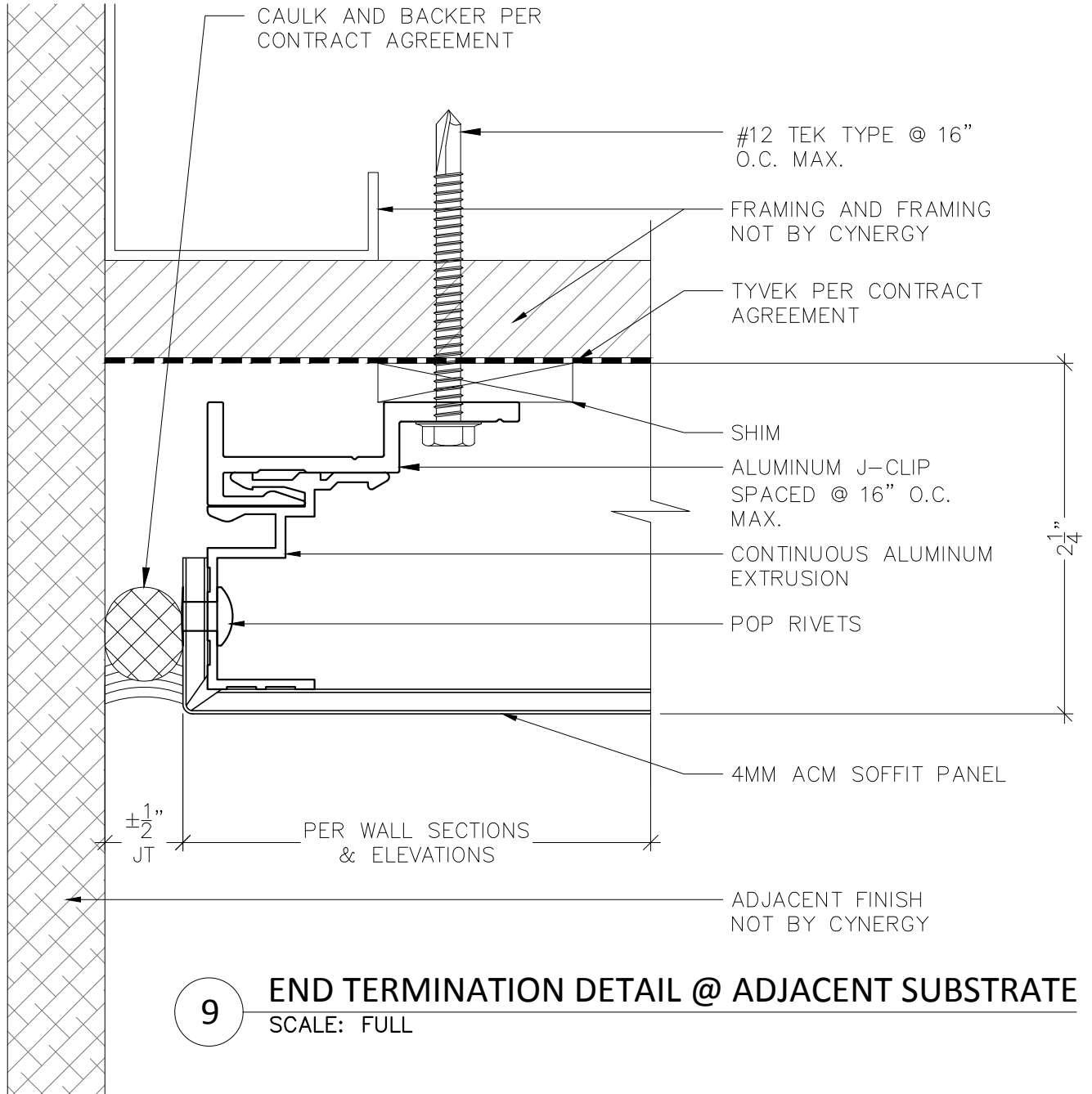


8 **INSIDE CORNER DETAIL**
SCALE: FULL



CYNERGY SYSTEMS, INC.

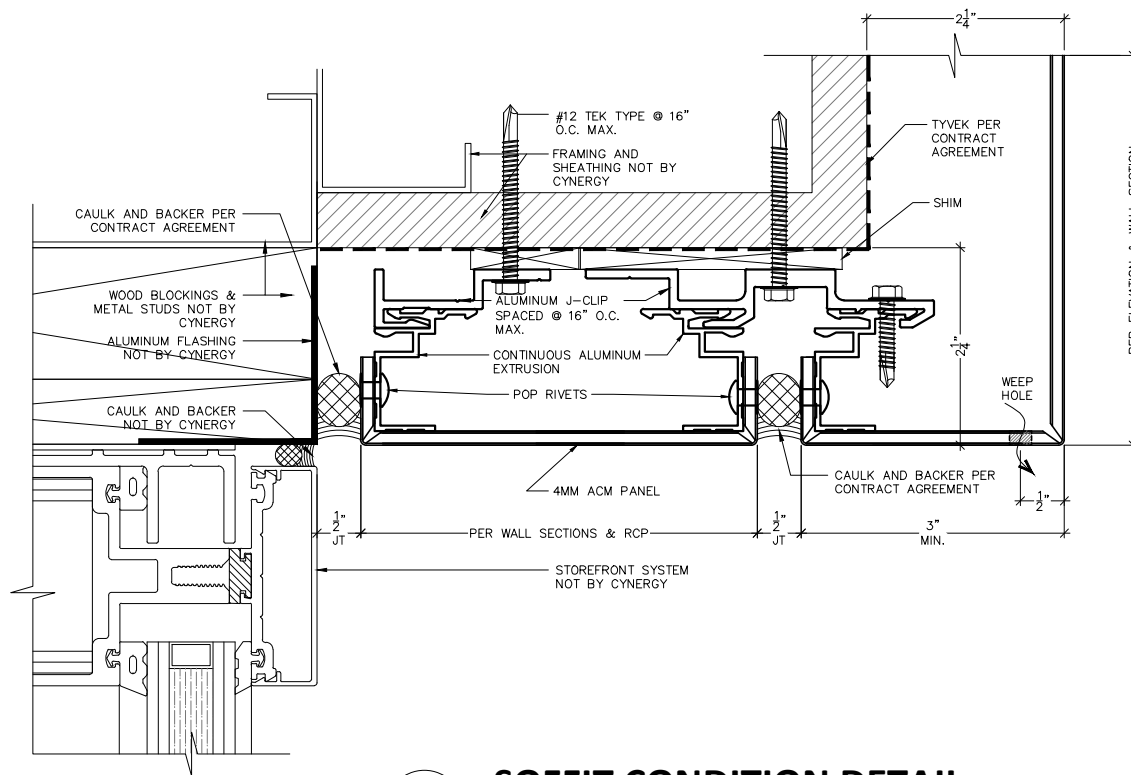
1851 Chespark Dr.
Gastonia, NC 28052
704.864.2999 (ph)
704.867.2009 (fax)





CYNERGY SYSTEMS, INC.

1851 Chespark Dr.
 Gastonia, NC 28052
 704.864.2999 (ph)
 704.867.2009 (fax)



10 SOFFIT CONDITION DETAIL
 SCALE: 6"=1'-0"